

Downlight DLR90 / DLR125 / DLR150 / DL(R)175 / DL(R)200

Introduction

This mounting instruction will help you with the

- intended and
- safe

mounting of the Downlight DLR90 / DLR125 / DLR150 / DL(R)175 / DL(R)200 and components and the subsequent usage and disposal of the recessed luminaire and components.

Duties with the handling of this mounting instruction

Every person who

- installs
- cleans or
- disposes

the Downlight DLR90 / DLR125 / DLR150 / DL(R)175 / DL(R)200 and components must have read and understood the complete content of the present mounting instruction. Please store this mounting instruction safely and ready to hand. In case of passing on the recessed luminaire and components, please also hand over the mounting instruction.

Intended use

The Downlight DLR90 / DLR125 / DLR150 / DL(R)175 / DL(R)200 may only be mounted on a stable and sufficiently supporting underground.

The Downlight DLR90 / DLR125 / DLR150 / DL(R)175 / DL(R)200 is offering the following protection classes:

- Ceiling mounting, IP20 on the back side and IP44 below ceiling.

The Downlight is not intended for other areas. Intended use also means that all the information in this mounting instruction, especially the safety instructions must be followed. Any other usage is to be considered as no intended use and may lead to material damage or personal injury.

MGL Licht does not assume any liability for damages that result from improper use.

General safety instructions

Danger due to insufficient qualification

The mounting, installation, commissioning, maintenance, repair, decommissioning and dismantling may only be carried out by expert technicians (e.g. electrical contractors) who are sufficiently qualified and who consider all product-related instructions, relevant directives, standards, laws and other provisions.

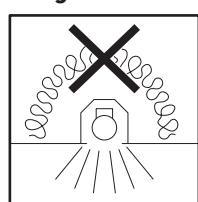
Mounting instructions of other devices or components that are mounted or operated in connection with the downlight, must also be taken into account.

Danger to life due to electric shock

In case you touch live components, there is danger of life due to electric shock.

Before starting any work on the product, please disconnect the product by switching off all power supplies and secure it against being switched on again.

Danger to life due to excessive heat



The downlight can be damaged by excessive heat.

- Luminaire not to be covered on the back side
- Satisfying cooling by convection on front and back side to be managed on site.
- Especially covering by insulation material of the back side needs to be avoided.

Material damage due to connected voltage during installation

Make sure that the luminaires and power supply units are always disconnected from the mains supply during wiring and installation work. Otherwise, the LED modules may be destroyed.

Disposal

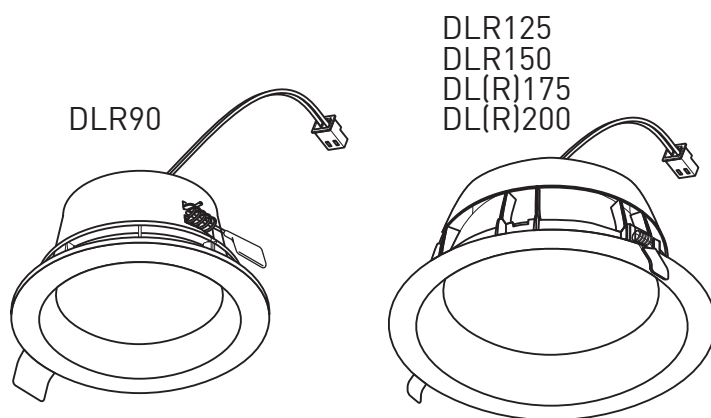
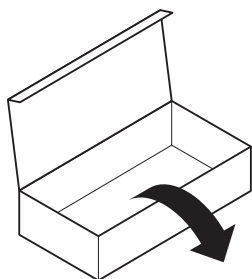


All electrical and electronic equipment waste must be disposed of separately from household waste via the specially provided collection points. By a proper disposal of your old device you avoid any environmental damage. Further information about the disposal can be obtained from your local authorities or from the retailer you purchased the product from.

The packaging and packaging material consist only of environmentally friendly materials.

It can be disposed of at the local Recycling Collection Points. Please contact your local responsible authority for information about the possibilities of recycling or of other safe and environmentally neutral disposal.

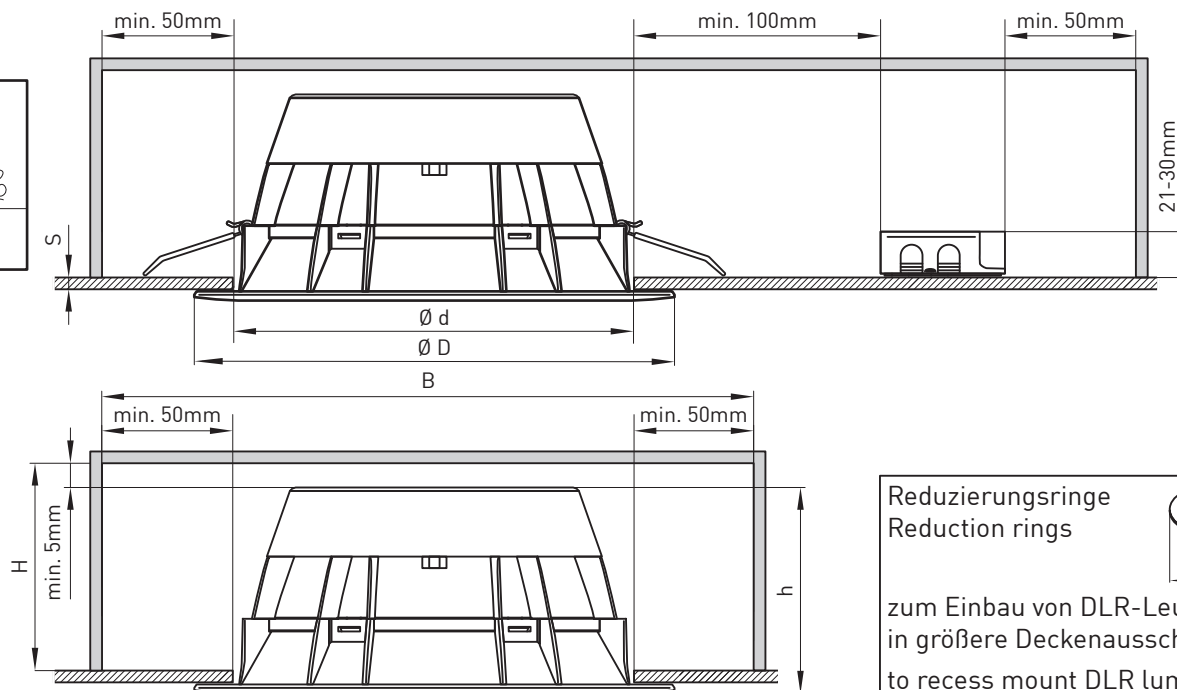
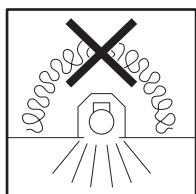
i



Netzgeräte - Betrieb der Leuchten NUR mit MGL-Netzgeräten zulässig!
 Drivers - The operation of the luminaires is only authorized with MGL drivers

| | | | | | | |
|----------------------|---------------------------|---------------------------|-----------------|----------|------------------------------|--|
| DL(R)175 DL(R)200 | DLR90 DLR125 DLR150 | | | | | |
| | | schaltbar - switchable | PushDim / 1-10V | DALI Dim | PhasenDim/ TRIAC/ PushDim | |
| | | ✓ | ✓ | ✗ | ✗ | |
| | 350 mA | MGL0033 | MGL0046 | MGL0035 | MGL0027 | |
| | 500 mA | MGL0045 | MGL0047 | MGL0042 | MGL0028 | |
| | 700 mA | MGL0034 | MGL0037 | MGL0036 | MGL0064 | |

i

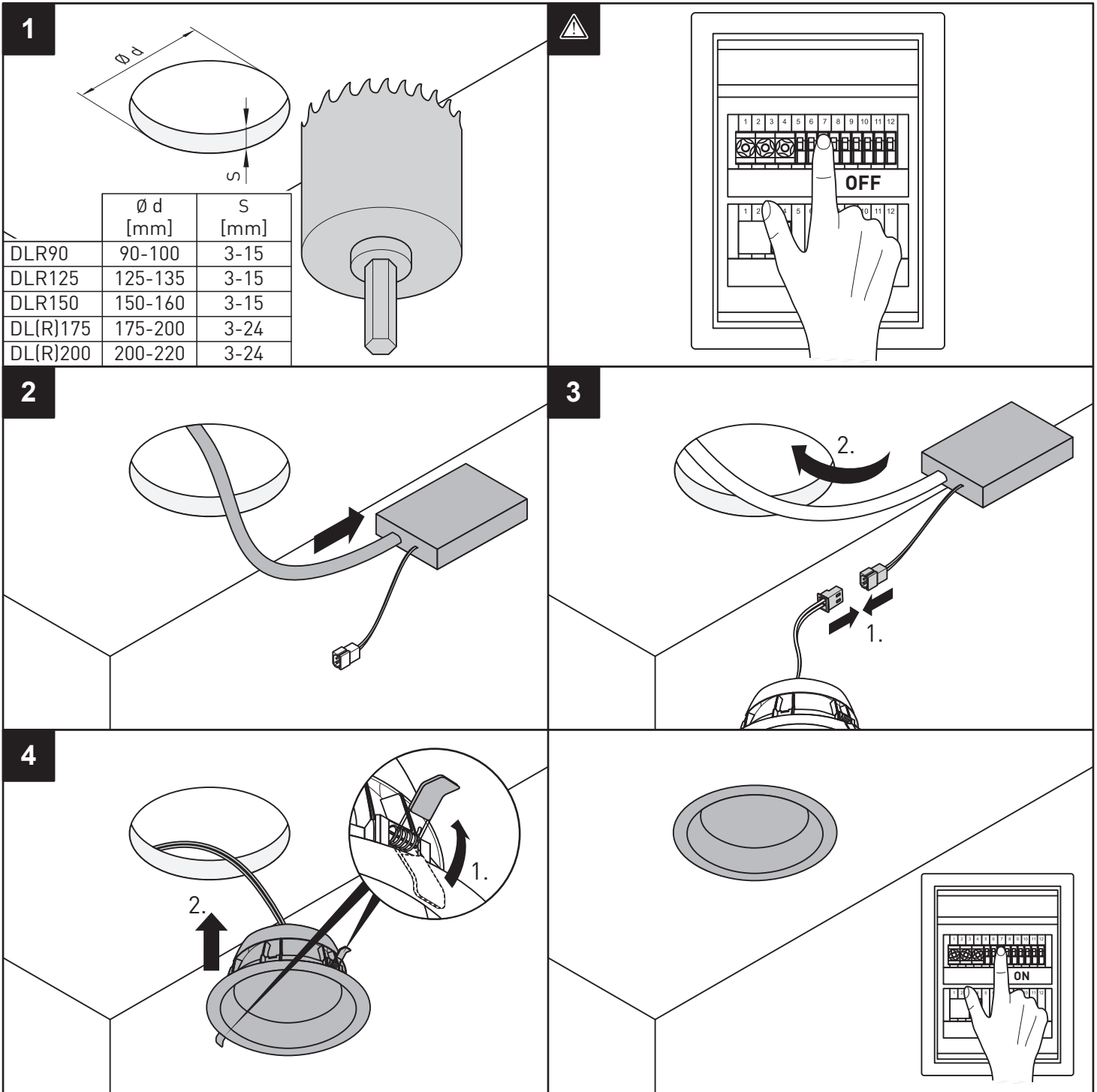


Reduzierungsringe
 Reduction rings

zum Einbau von DLR-Leuchten
 in größere Deckenausschnitte
 to recess mount DLR luminaires
 into larger ceiling cut-outs

| | S [mm] | h [mm] | Ø d [mm] | Ø D [mm] | H [mm] | B [mm] |
|----------|-----------|-----------|-------------|-------------|-----------|-----------|
| DLR90 | 3-15 | 60 | 90-100 | 110 | ≥65 | ≥200 |
| DLR125 | 3-15 | 70 | 125-130 | 142 | ≥75 | ≥225 |
| DLR150 | 3-15 | 83 | 150-160 | 165 | ≥88 | ≥260 |
| DL(R)175 | 3-24 | 90 | 175-200 | 210 | ≥95 | ≥275 |
| DL(R)200 | 3-24 | 100 | 200-220 | 230 | ≥105 | ≥300 |

| Art.-Nr. | Ø r [mm] | Ø R [mm] |
|----------|-------------|-------------|
| MGL0071 | 90 | 135 |
| MGL0072 | 125 | 165 |
| MGL0073 | 150 | 195 |
| - | - | - |
| MGL0067 | 200 | 270 |



Die technischen Inhalte entsprechen dem Stand der Drucklegung.

Änderungen bleiben vorbehalten.

Keine Gewährleistung für Druckfehler oder Irrtümer.

All technical information is correct at the date of printing.

This mounting instruction is subject to change without notice.

No liability is taken for any print errors or mistakes.

MGL LICHT GmbH
 Steinweg 12 - 16
 32657 Lemgo
 Germany

Tel.: + 49/(0)5261/6608818
 Fax: +49/(0)5261/9342555

E-Mail: info@mgl-licht.de
 Internet: www.mgl-licht.de