



# Art. Nr.: 96034 ASRD 14



Primary Current:	75
Secondary Current:	5
Burden (VA):	1,5
Accuracy Class:	1

### Dimensions:

Round conductor in mm:	3x13,5
Width in mm:	105
Height in mm:	71
Depth in mm:	90

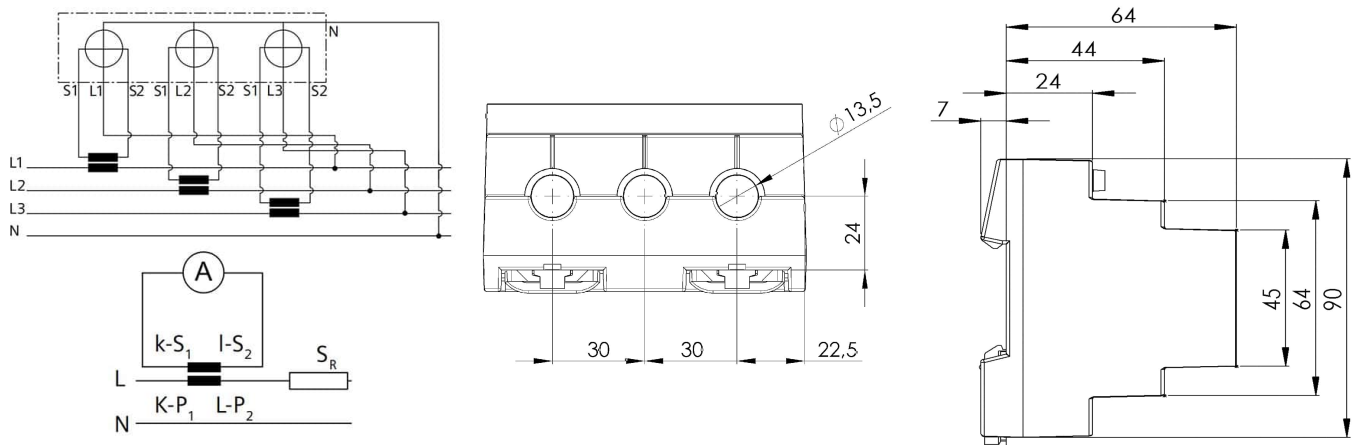
### Technical Data:

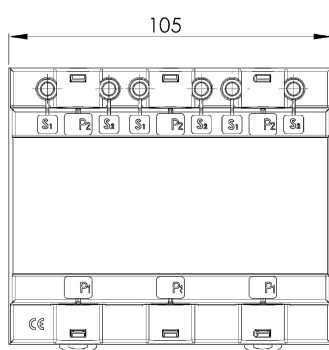
Therm. nominal continuous current  $I_{cth}$ :  $1,0 \times I_{pr}$   
 Therm. nominal short-time current  $I_{th}$ :  $60 \times I_{pr}$ , 1 Sek.  
 Max. operating voltage  $U_m$ : 0,72 kV  
 Isolation test voltage: 3 kV,  $U_{eff}$ , 50 Hz, 1 Min.  
 Nominal rated frequency: 50 Hz  
 Isolation class: E

### General Technical Data:

Over-current limiting factor:	See rating plate
Working temperature range:	$-5^{\circ}\text{C} < T < +50^{\circ}\text{C}$
Storage temperature range:	$-25^{\circ}\text{C} < T < +70^{\circ}\text{C}$
Unbreakable plastic housing made of black polycarbonate	Flame resistant, ultrasonically welded
Nickel-plated secondary terminals with plus-minus nickel-plated screws	M5x10mm
Custom tariff number	85043129
Applied standards 1	DIN EN 61869-1/2
Applied standards 2	DIN EN 42600-1/2

### Technical Drawing:





---

**Contact:**

MBS AG & Co. KG - Eisbachstrasse 51 - D-74429 Sulzbach-Laufen - [www.mbs-ag.com](http://www.mbs-ag.com)  
Tel.: +49 7976 9851-0 - Telefax: +49 7976 9851-90 - [verkauf@mbs-ag.com](mailto:verkauf@mbs-ag.com)

Date: 23.06.2026