

Push-button module 24 V AC/DC, 20 mA, 3-channel, 6 contacts, F50, AS/A range



Reference number: A 5236 TSM

EAN/GTIN: 4011377118096

■ Individual inscription of paper inlays for inscription fields possible

including transparent cover ref.-no.: A 50 NA

F 50 Push-button modules for connection to relay station ref.-no. RS 8 REGHE, dimming station ref.-no. UDS 4 REGHE or other control systems with control voltage of max. 24 V AC/DC (SELV), 20 mA.

The module is connected by means of a connection block at the back.

- To be completed with cover kit
- One red status LED per button

Spare part:

Spare part:

Transparent cover ref.-no.: A 50 NA

Accessories:

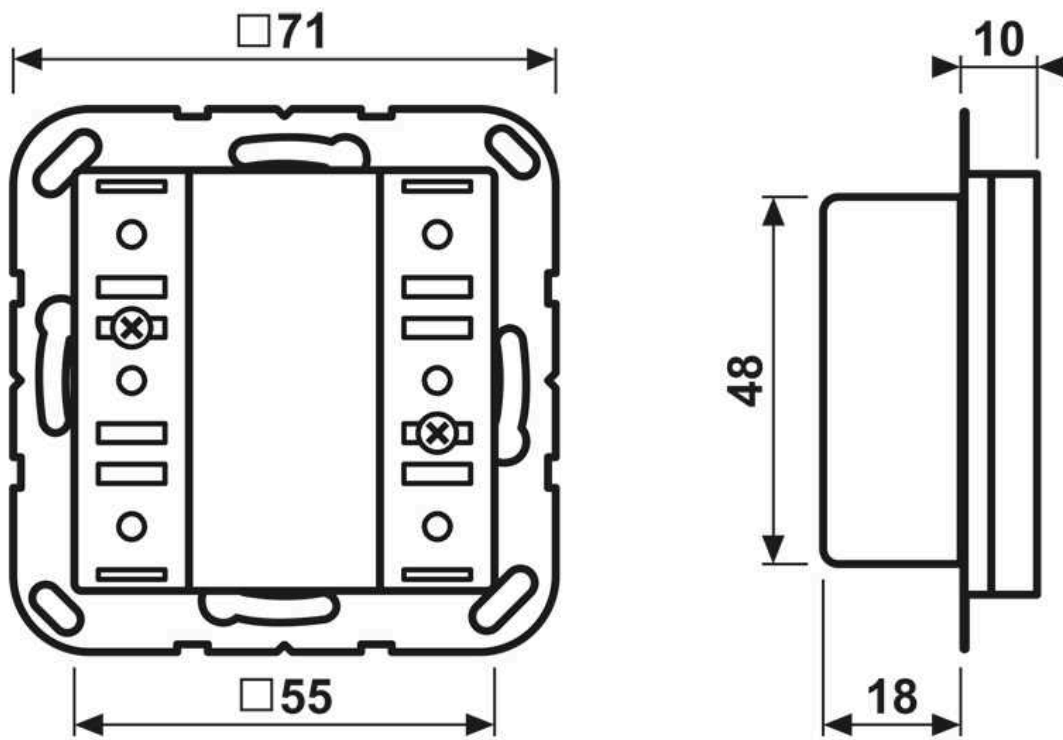
Accessories:

Neutral cover ref.-no.: A 50 NA W, A 50 NA WW, A 50 NA SW, A 50 NA AL, A 50 NA CH, A 50 NA MO, A 50 NA WWM, A 50 NA SWM, A 50 NA ANM

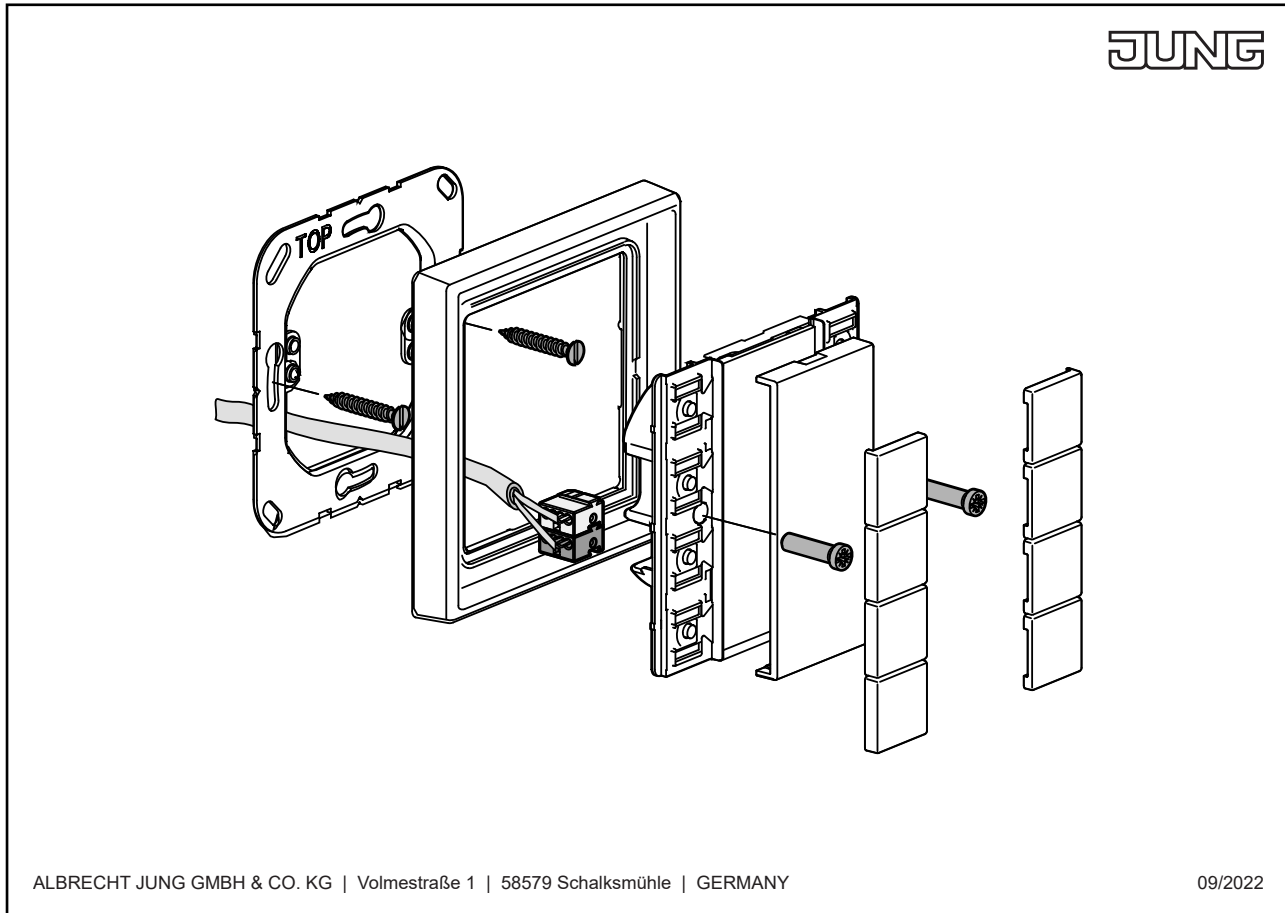
Cover, suitable for backlighting ref.-no.: A 50 NA TX SW-L

In combination with the PHC system of the company PEHA the proper functioning of the status LED cannot be guaranteed. Please contact our technical service line.

Dimensions



Assembly



ALBRECHT JUNG GMBH & CO. KG | Volmestraße 1 | 58579 Schalksmühle | GERMANY

09/2022